

## Opus 700 Salamander

### Key Features

- Type: Electric
- Integral fat collection channel
- Cast aluminium branding plate
- High and low heat settings



OE7304

### Construction

- Body: Stainless steel grade 430
- Interior and top/front: Enamelled steel
- Grill shelf: Chrome plated steel

### Available Options

- N/A

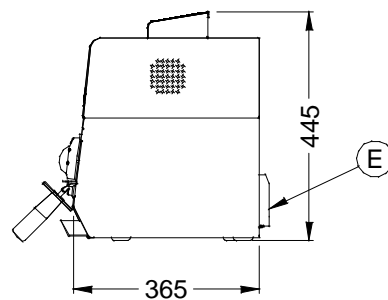
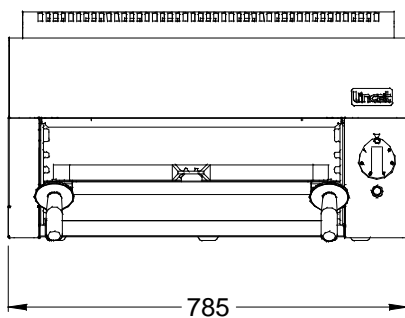
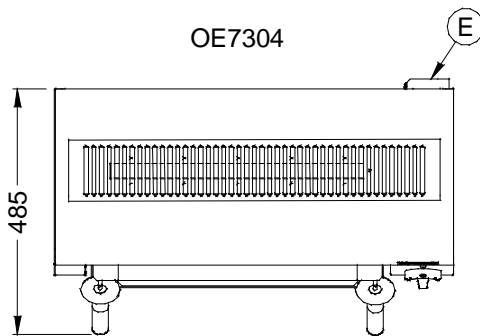
### Available Accessories

- OA7907 Floor stand
- OA7908 Bench stand
- OA7909 Wall shelf
- BR11 Additional branding plate

Note: Salamander floor stand cannot be supplied with castors

## Specifications

Model	OE7304
External height (mm)	445
External width (mm)	785
External depth (mm)	365
External depth including grill tray handles (mm)	485
Branding plate width size w x d (mm)	530 x 265
Net weight unpacked (kg)	40
Gross weight packed (kg)	50
Shipping volume (m <sup>3</sup> )	0.628
Total electrical power rating (kW)	5.5
Electrical supply 1N~+E 230V 50-60Hz Current Rating (A)	23.9
Electrical supply 3N~+E 400V 50-60Hz Current Rating (A)	N/A



Lincat Limited, Whisby Road,  
Lincoln LN6 3QZ,  
United Kingdom

UK Sales Tel: 01522 875500 UK Spares Tel: 01522 875510 UK General Tel: 01522 875555  
 UK Fax: 01522 875530 International Sales Tel: +44 1522 503250 International Fax: +44 1522 875530  
 Website: www.lincat.co.uk UK Sales e-mail: sales@lincat.co.uk International Sales e-mail: export@lincat.co.uk



Document ref:  
OPUSELECSAL04  
Issue date: Oct-09